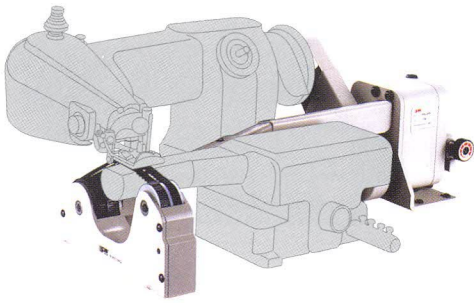
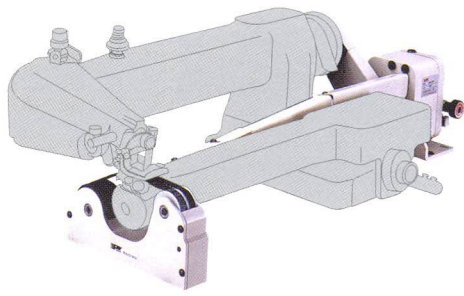


**PW** FOR BLINDSTITCH MACHINE WITH MOVEABLE ARM  
(SUITABLE FOR DIVING-SUIT MATERIAL)



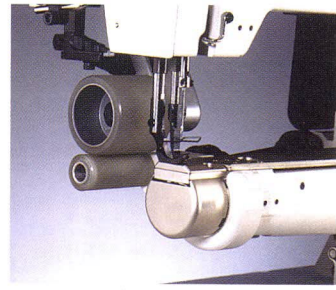
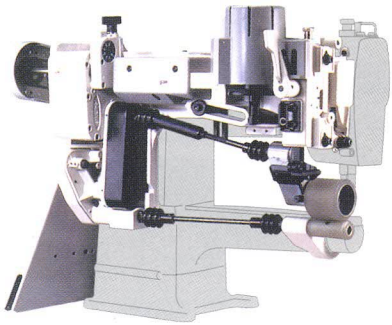
**PW-L** FOR LONG ARM BLINDSTITCH MACHINE WITH MOVEABLE ARM  
(SUITABLE FOR DIVING-SUIT MATERIAL)



CUSTOMER-MADE ORDER

EXAMPLE

JUKI DSC - 246



DESCRIPTION OF ACCESSORY FOR PULLER SERIES

THE ROLLER LIFTER IS NOT INCLUDED FOR PW, PR, PG, PO.

ROLLER LIFTER : THE ROLLER WILL BE LIFTED AT THE SAME TIME AS THE PRESSER FOOT IS LIFTED BY AUTO, MANUAL OR REVERSE SEWING. (WITH TWO PLUG SETS WHICH CAN CONNECT WITH ALL MANUAL AND AUTO-REVERSE SIGNAL.)

IT ALLOWS YOU (NOT BUYING THE ROLL LIFTER), IN ORDER TO SAVE YOUR COST. PLEASE INDICATE DURING ORDER IF YOU DO NOT NEED THE ROLLER LIFTER.

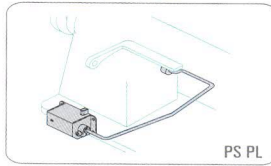
SOLENOID LIFTER:  
(REGULAR PARTS)



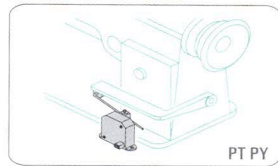
PNEUMATIC LIFTER:  
(OPTIONAL PARTS)



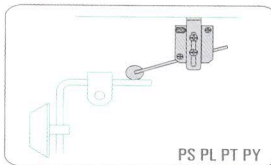
E3 REVERSE SWITCH



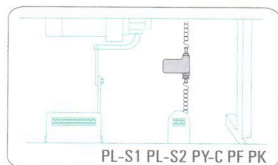
E4 REVERSE SWITCH



E5 REVERSE SWITCH

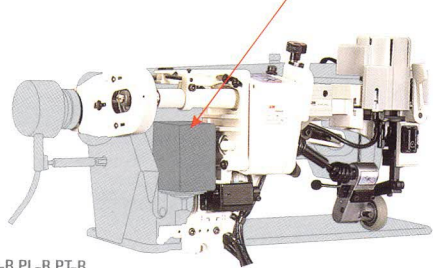


E6 REVERSE SWITCH



**B Base** : IN CASE THE REVERSE SOLENOID IS AT THE BACK OF MACHINE.

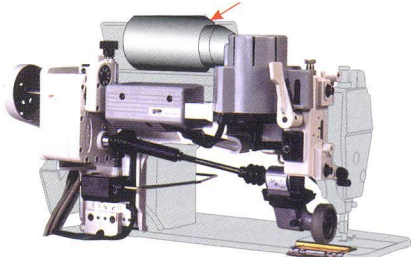
EX. PL-B P5535 BROTHER LT2 - B842 -403



PS-B.PL-B.PT-B

**AK Relocation Set** : IN CASE THE AUTO-LIFTER SOLENOID IN THE BACK OF MACHINE.

EX. PL-AK P5535 JUKI DDL-555N-AK



JUKI AK-34 35 84 85 88 89